

UNO-247 V2

Intel® Alder Lake-N N97 processor
IoT Edge Computer, with 4 x LAN,
6 x COM, 4 x USB, 1 x HDMI, 1 x VGA

NEW



Specifications

General

- **Certification** CE, FCC, UL, CCC, BSMI
- **Dimensions (W x D x H)** 200 x 140 x 60 mm
- **Form Factor** Regular Size
- **Enclosure** Aluminum Housing
- **Mounting** Stand Mount, DIN-Rail (Optional)
- **Weight (Net)** 1.2kg (2.6lbs)
- **Power Requirement** 24V_{DC} (12-24V_{DC})
- **Power Consumption** 19W (Typical), 60W (Max)
- **OS Support** Win11 LTSC IoT, Advlinux

System Hardware

- **BIOS** AMI UEFI64 Mbit
- **Watchdog Timer** Programmable 255 levels timer interval, from 1 to 255 sec
- **TPM** Optional
- **Processor** Intel® Alder Lake-N N97 Max at 3.6GHz
- **Memory** 1 x slot (DDR5 SO-DIMM support up to 16GB)
- **Graphics Engine** Intel UHD Graphics
- **Ethernet** 10/100/1000 Mbps Realtek RTL8111K-CG
- **LED Indicators** LEDs for Power and HDD
- **Storage** 1 x M.2 B key 2242 SATA
1 x mSATA or
1 x drive bay for SATA 2.5" SSD (Optional)*
- **Expansion** 1 x Full size mPCIe slot (SATA/ USB Signal)
1 x M.2 B key (3042/3052, PCIe, SATA, USB signal)
1 x Nano SIM card slot
1 x iDoor Bracket

*Please note that iDoor module cannot be applied if a 2.5" SSD is installed

*If user goes with 2.5"SSD, SATA cable is required (see below optional accessory) and jumper setting is also required to adjust (Check User Manual)

Features

- Intel® Alder Lake-N N97 processor
- Flexible iDoor expansion design with sufficient IO port
- 4 x GbE, 2 x USB3.2, 2 x USB2.0, 2 x RS232/422/485, 4 x RS485, 1 x HDMI, 1 x VGA
- Compact size with fanless design
- Optional 4G/GPRS/GPRS/Wi-Fi communication
- Terminal block for wiring capability
- Optimized mechanical design for easier RAM swapping
- Support Win11 IoT and Ubuntu 22.04

I/O Interfaces

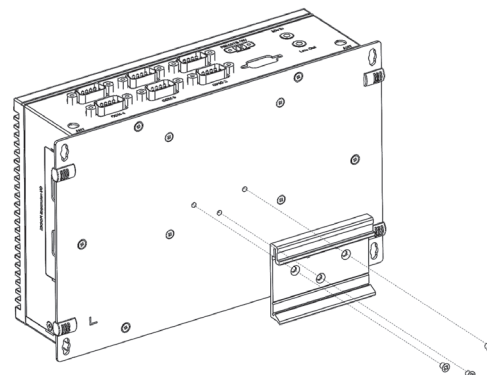
- **Serial Ports** 2 x RS232/422/485
4 x RS485 DB9, 50bps ~ 115.2kbps
- **LAN Ports** 4 x RJ45, 10/100/1000 Mbps IEEE 802.3u
1000BASE-T Fast Ethernet
- **USB Ports** 2 x USB 3.2, 2 x USB 2.0
- **Displays** 1 x HDMI 1.4 (4096x2160 @60Hz)
1 x VGA (1920x1080@60Hz)
- **Power Connector** 1 x Terminal Block, 1 x Remote Switch
- **Audio** 1 x Line out, 1 x Mic in

Environment

- **Operating Temperature** -20 ~ 60°C with 0.7m/s air flow (With extended temperature peripherals, refer to optional memory list on page 2)
- **Storage Temperature** -40 ~ 85°C (-40 ~ 185°F)
- **Relative Humidity** Operating, 95% RH @ 40°C, non-condensing
Non-operating, 95%RH @ 60°C, non-condensing
- **Shock Protection** Operating, IEC 60068-2-27, 50G, half sine, 11ms
- **Vibration Protection** Operating, IEC 60068-2-64, 2 Grms, random,
5 ~ 500 Hz, 1hr/axis

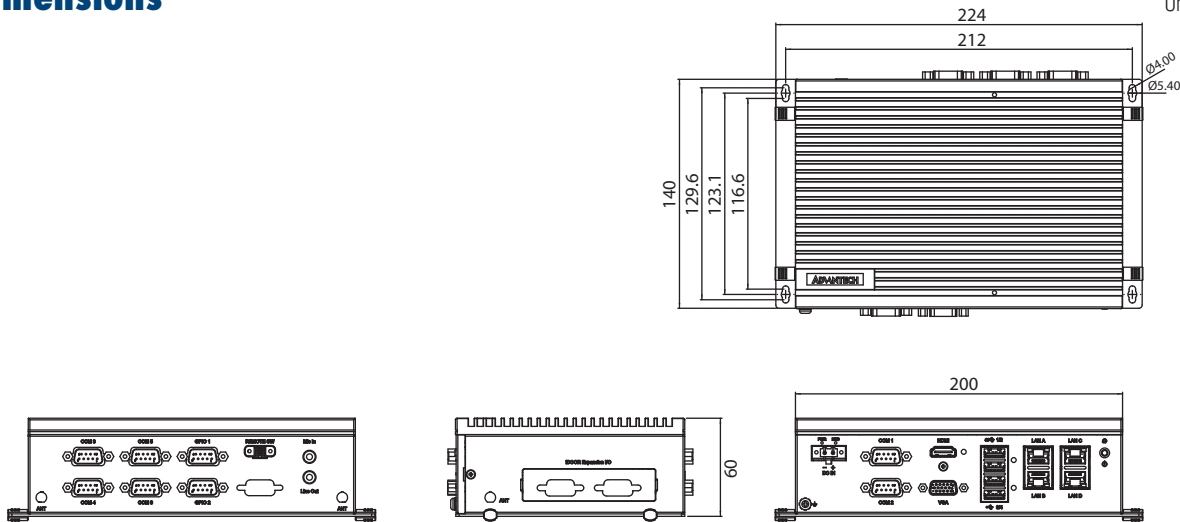
Installation Scenario

DIN-rail Mount Illustration (with optional DIN-rail kit)

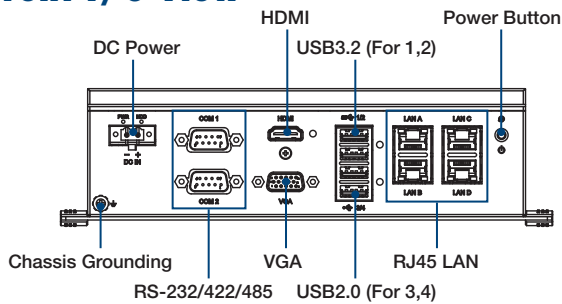


Dimensions

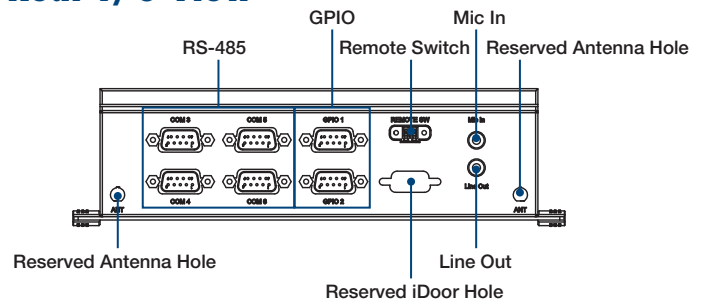
Unit: mm



Front I/O View



Rear I/O View



Ordering Information

Ordering Part Number	CPU	Max. Frequency	Memory	Storage	OS	COM	USB	Display
UNO-247-N3N1A	Intel Alder Lake-N N97	3.6GHz	NA	NA	NA	2 x RS232/422/485, 4 x RS485	2 x USB 3.2, 2 x USB 2.0	1 x HDMI, 1 x VGA

Optional Accessories

- 1702002600 Power cable, US plug, 1.8 m (industrial grade)
- 1702002605 Power cable, EU plug, 1.8 m (industrial grade)
- 1702031801 Power cable, UK plug, 1.8 m (industrial grade)
- UNO-400-DMKAE DIN Rail Kit
- UNO-2000G-VMKCE UNO & FPM Gen 2 integration VESA Mount kit
- PCM-38MWF M.2 B to E key adapter
- 1700030467-01 M cable SATA 22P/SATA for 2.5" SSD
- 96PSA-A60W24T2-3 ADP A/D 100-240V 60W 24V C14 CORD END 2PIN 62368

Embedded Image

- 20701WLE1S0012 Img Win11 x64 v7.01.019 UNO-247_V2 Entry
- 207 PN

iDoor Support List

Category	Part Number	Interface	Slot
COM	PCM-24D2R2-BE PCM-24D2R4-BE PCM-24D4R2-BE PCM-24D4R4-BE	USB	mPCIe
	PCM-34D2R2-AE PCM-34D2R2-AE PCM-34D4R2-AE PCM-34D4R4-AE	USB	B key
	PCM-37D24DI-AE	PCIe	B key
	PCM-34R2GL-AE PCM-34R1TP-AE	PCIe	B key
CAN	PCM-26D2CA-CE	USB	mPCIe
Wifi	TBD	PCIe	E key
LTE	PCM-24S34G-CE	USB	mPCI

Please note: If some optional modules are offered with the system, additional system certificates may be required in certain regions/countries. Please contact Advantech for certificate compliance.